

Telecommunications Containers

Description

Data communication containers made of polyethylene constitute a perfect alternative for their counterparts executed in a traditional manner, e.g. from concrete. They are used for installation in telecommunications networks and designed for the protection of connector sleeve and the fibre-optic cable slack laid in the cable conduit. The container consists of the body, polyethylene cover and a sealing washer under the cover. The front flat inlets in the corners make it possible to introduce pipes into the containers. The pipes have standard diameters of $\varnothing 32$ mm, $\varnothing 40$ mm and $\varnothing 50$ mm.

Application

Telecommunication, MAN, WAN, Protection of the connecting sleeve, Protection of the optical fibre slack.

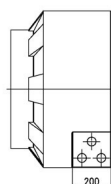
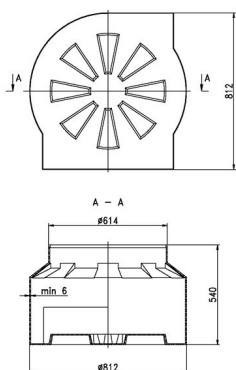
Properties

- » Small weight
- » Excellent tightness
- » Easy and quick assembly
- » Possibility to assemble in difficult conditions
- » Easy network extension
- » Easy to maintain in a clean condition
- » Stability of the product
- » Resistance to low temperatures
- » Possibility of recycling

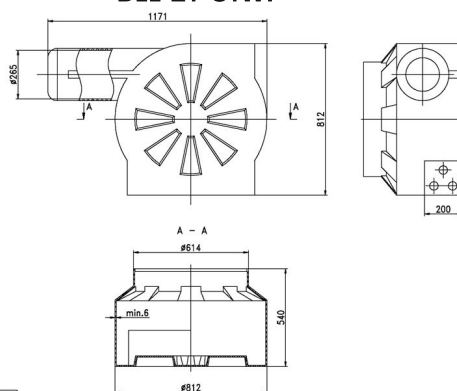


Photos and dimensions

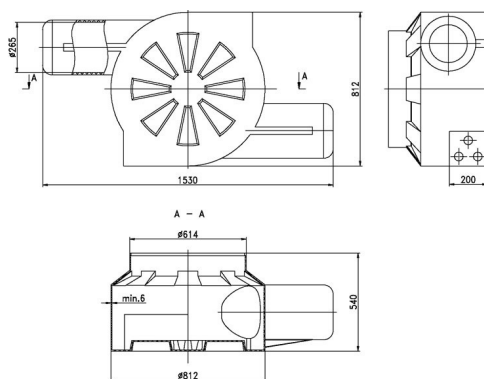
DLL-ZT-00W:



DLL-ZT-01W:



DLL-ZT-02W:



How to order

DLL-ZT-00W	Telecommunications container of the cable slack
DLL-ZT-01W	Telecommunications containers with one connection
DLL-ZT-02W	Data communication container with two connections

Standard equipment

- » Body
- » Cover
- » Gasket under the cover