

Chassis LGX Q-Fiber

Description

LGX Chassis (1U, 2U, 3U) Q-Fiber are rack boxes designed for mounting in a data communication cabinet by means of rack bolts. They have been designed to house from 3 to 12 LGX-S modules (single) depending on the type of box, and from 3 to 6 LGX-D modules (double). The module in the chassis is installed by means of a latching disc. Such solution facilitates very quick installation and dismantling of the ODF, without the need to use additional tools. The LGX system may be used for crossing fibre-optic cables, patchcords and pigtailed. It is also a good solution for splitter adaptation and Wave Division Multiplexing Systems WDM, CWDM and DWDM. Thanks to its compact size, it permits a very efficient use of space inside the data communication cabinet.



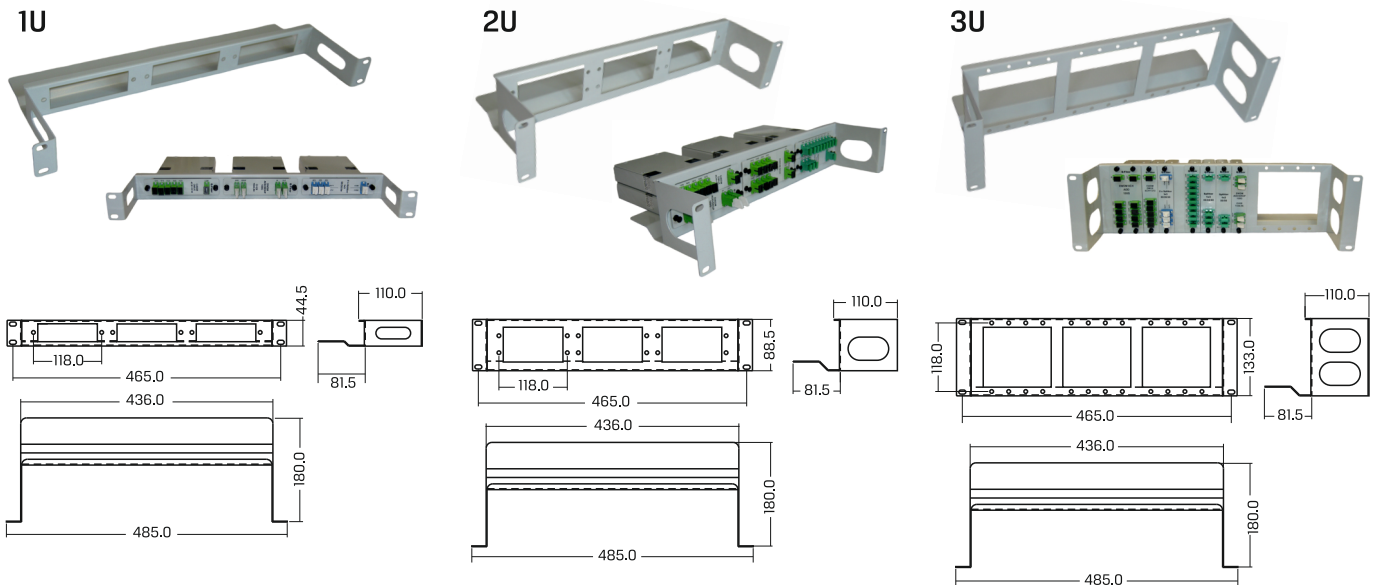
Application

Telecommunication, CATV, Monitoring, Industry, LAN, MAN, WAN, FTTx, PON.

Properties

- » Made of 1.5 mm steel sheet
- » Possibility to mount in a data communication cabinet
- » Placement of the modules in a depression facilitates the organisation of patchcords
- » Side embossment makes it possible to conveniently route the patchcords
- » Dimensions [H x W x D]: 1U - 44.5x485x180 mm, 2U - 88.5x485x180 mm, 3U - 133x485x180 mm
- » Color: RAL7035 (light grey) glossy, other colors on request
- » Chassis 1U holds 3 LGX-S modules (single)
- » Chassis 2U holds 6 LGX-S modules (single) or 3 LGX-D modules (double)
- » Chassis 3U holds 12 LGX-S modules (single) or 6 LGX-D modules (double)

Photos and dimensions



How to order

CH-LGX-1U Rack box Chassis LGX 1U
 CH-LGX-2U Rack box Chassis LGX 2U
 CH-LGX-3U Rack box Chassis LGX 3U

Standard equipment

- » Rack bolts
- » Snaps
- » Modules LGX

Information

- » Possibility to mount in a data communication cabinet
- » Chassis 1U holds 3 LGX-S modules (single)
- » Chassis 2U holds 6 LGX-S modules (single) or 3 LGX-D modules (double)
- » Chassis 3U holds 12 LGX-S modules (single) or 6 LGX-D modules (double)