

Cable Overlength Box SZK1A Q-Fiber

Description

The **Cable Overlength Box Q-Fiber** is designed for placement in the telecommunication manholes or cable cellars. It is used for arranging and winding the cable overlength, it guarantees correct bend radius of the wound cable. It protects the cable against mechanical damage. The cable overlength box holds 120m of cable with 10mm in diameter. The box consists of the support frame and the cover. It is possible to order the support frame or the cover alone.



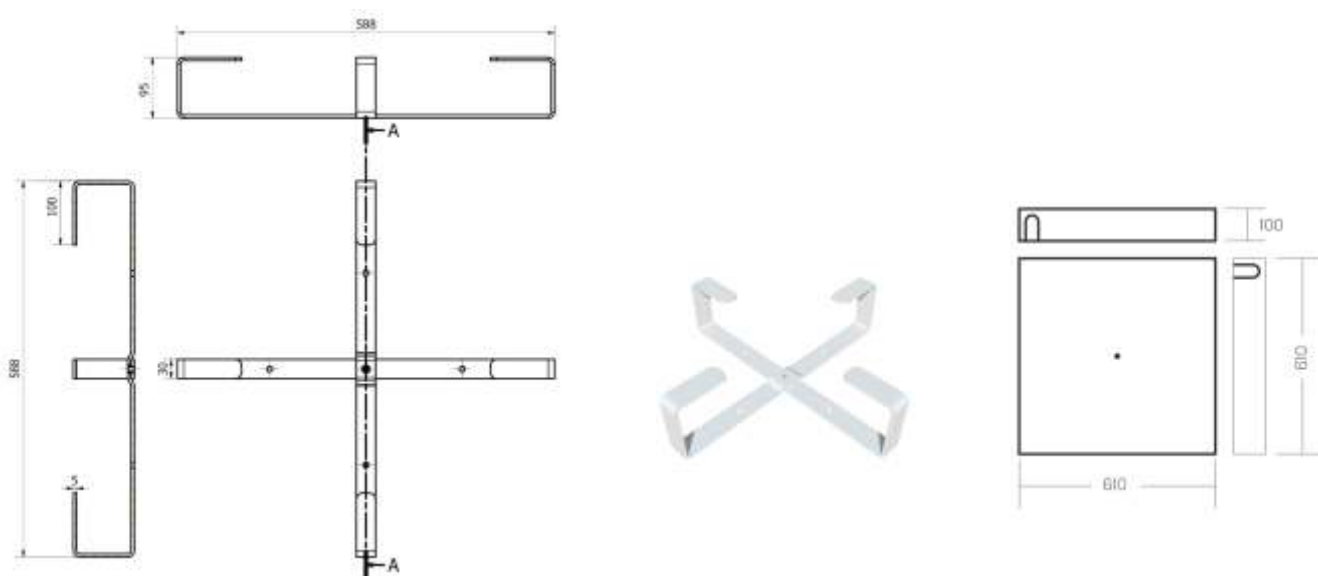
Application

Telecommunication, CATV, Monitoring, Industry, LAN, MAN, WAN, FTTx, PON.

Properties

- Dimensions: 600 x 600 x 100 mm,
- Capacity: 120m of cable with 10mm in diameter,
- Support frame made of aluminum flat bar ,
- Corrosion-protected external housing,
- Equipped with a knob holding the cover to the frame,
- Possibility to order fixing knob with key.

Photos and dimensions:



How to order

SZK1A	Cable Overlength Box (set)
SZK-600-ALU	Cable Overlength Support Frame 588 mm (aluminum)
PSZK1	Cover for the Support Frame for Cable Overlength

Information

- Box holds 120m of cable with 10mm in diameter,
- Box has a holders for wall mounting,
- Cable overlength box is packed in a cardboard box.

Standard equipment:

- Cabel overlength support frame 588 mm (aluminum)
- Cover for the support frame 600x600x100 mm,
- Pin,
- Fixing knob or fixing knob with key.